

GOLDEN 4 TRACK ELEVATOR LIFT

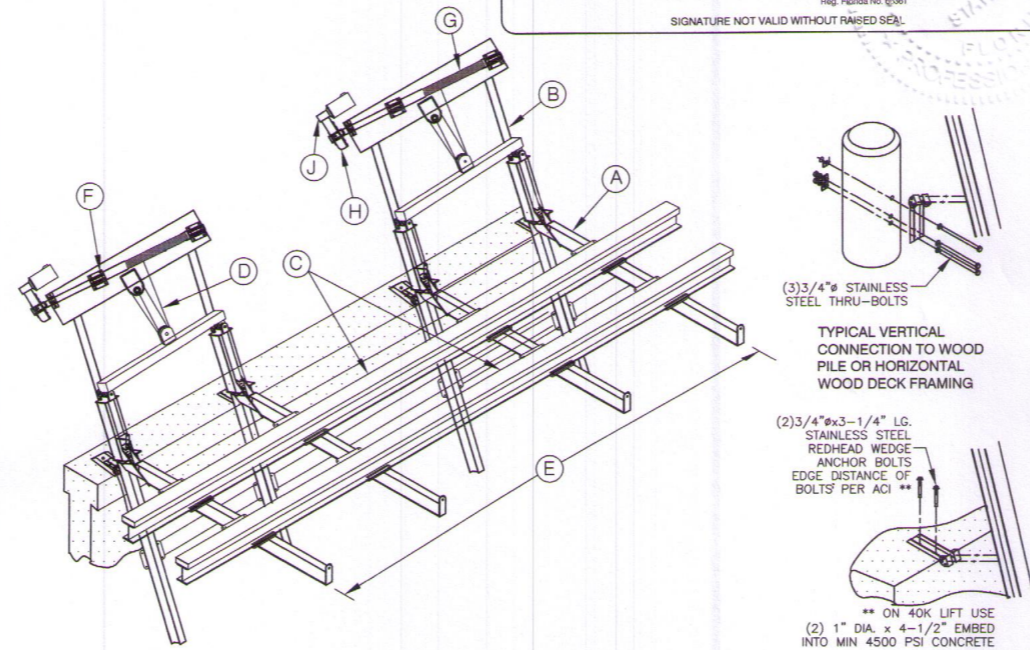
STRUCTURAL ENGINEERING REVIEW

THIS CONSTRUCTION HAS BEEN DESIGNED AS A MAIN WIND FORCE RESISTING SYSTEM, WITH CALCULATED GRAVITY AND WIND LOADS IN COMPLIANCE WITH THE FLORIDA BUILDING CODE, 8th EDITION, 2017, CHAPTER 16, ADM-2015, AND ASSESS 7-10 "MINIMUM DESIGN LOADS FOR BUILDINGS AND OTHER STRUCTURES" TO WITHSTAND THE WIND LOADS ASSOCIATED WITH AN ULTIMATE WIND SPEED OF 180 MPH, EXPOSURE 'D', RISK CATEGORY I. J.L. SANDERS, P.E. HAS NO CONTROL OF THE MANUFACTURING, PERFORMANCE, OR INSTALLATION OF THIS PRODUCT. THESE GENERIC DESIGN FEATURES WERE ENGINEERED IN ACCORDANCE WITH ACCEPTED ENGINEERING PRACTICES BASED ON DATA PROVIDED BY THE MANUFACTURER. THIS STRUCTURAL REVIEW IS LIMITED TO THE PRIMARY FRAMING AND CONNECTIONS AND IS NOT INTENDED TO COVER MECHANICAL AND ELECTRICAL COMPONENTS. THESE DESIGN FEATURES ARE BASED ON STRUCTURAL CALCULATIONS, TITLED "STRUCTURAL CALCULATIONS FOR ELEVATOR LIFTS WHICH CONTAIN ADDITIONAL DESIGN REQUIREMENTS AND CRITERIA AND ARE AVAILABLE UPON REQUEST. THE BOAT LIFTS DEPICTED BY THESE DESIGNS AND RELATED CALCULATIONS WERE ENGINEERED AS MANUAL LIFT PRODUCTS FOR NON-SITE SPECIFIC USE AND SHALL MEET THE DESIGN REQUIREMENTS AND INSTALLATION INSTRUCTIONS SET FORTH IN THE STRUCTURAL CALCULATIONS. IN PARTICULAR THE TRACK BEAMS SHALL BE ADEQUATELY BRACED AT NO MORE THAN 5 FT. O.C.

J. L. SANDERS, P.E.
2005 GRATTS ROAD NW
MONROE, GA 30666
Phone: 209-671-1578

J.L. Sanders
Date: 4-5-18

SIGNATURE NOT VALID WITHOUT RAISED SEAL



INCLINE MOUNT OR VERTICAL MOUNT

NOTE: THIS STRUCTURE HAS BEEN DESIGNED FOR LOADS ASSOCIATED WITH AN ULTIMATE WIND SPEED OF 180 MPH, EXPOSURE 'D', RISK CATEGORY I, CALCULATED PER FLORIDA BUILDING CODE 2017, ASCE/SEI 7-10 AND ADM-2015. BOATS SHALL NOT BE STORED ON LIFTS DURING HIGH WIND EVENTS. ALL PRIMARY STRUCTURAL MEMBERS ARE TO BE 6061-T6 ALUMINUM. TRACKS ARE TO BE DRIVEN TO FIRM BEARING MATERIAL.

SUMMARY OF DESIGN FEATURES

	(A)	(B)	(C)	(D)	(E)	(F)	(G)	(H)	(J)		
LIFT CAPACITY	CRADLE I-BEAM	TRACK I-BEAM	BUNK BOARDS FEET	CABLE SIZE	TRACK SPREAD	BRGS	WINDER DIA	GEAR RATIO	MOTOR HP/VOLTAGE	INCHES OF LIFT PER MIN.	GUIDE POST HEIGHT
24,000#	(4) 10 H x 29 8 W x 50 x 10' LG @ 10.3#/FT	(4) 10 H x 29 8 W x 50 x 25' LG @ 10.3#/FT	(2) 10 H x 25 6 W x 41 x 25' LG CARPET W/ WOOD & CARPET	(2) 7/16" x 60 S.S. 4 PART							
30,000#	(4) 12 H x 31 7 W x 62 x 11' LG @ 14.3#/FT	(4) 12 H x 31 7 W x 62 x 25' LG @ 14.3#/FT	(2) 10 H x 25 6 W x 41 x 25' LG CARPET W/ WOOD & CARPET	(2) 1/2" x 68 S.S. 4 PART	10' THRU 16"	(6) 2" EXTRUDED 6061-T6 ALUM.	SEA DRIVE 3/8" SOLID WINDER	480:1	(2) 1.5 HP 120V/20A 240V/10A	6.75"	120"
40,000#								500:1		6.5"	

Golden Manufacturing, Inc. 17611 East Street, North Fort Myers Florida 33917 Pub 4-5-18