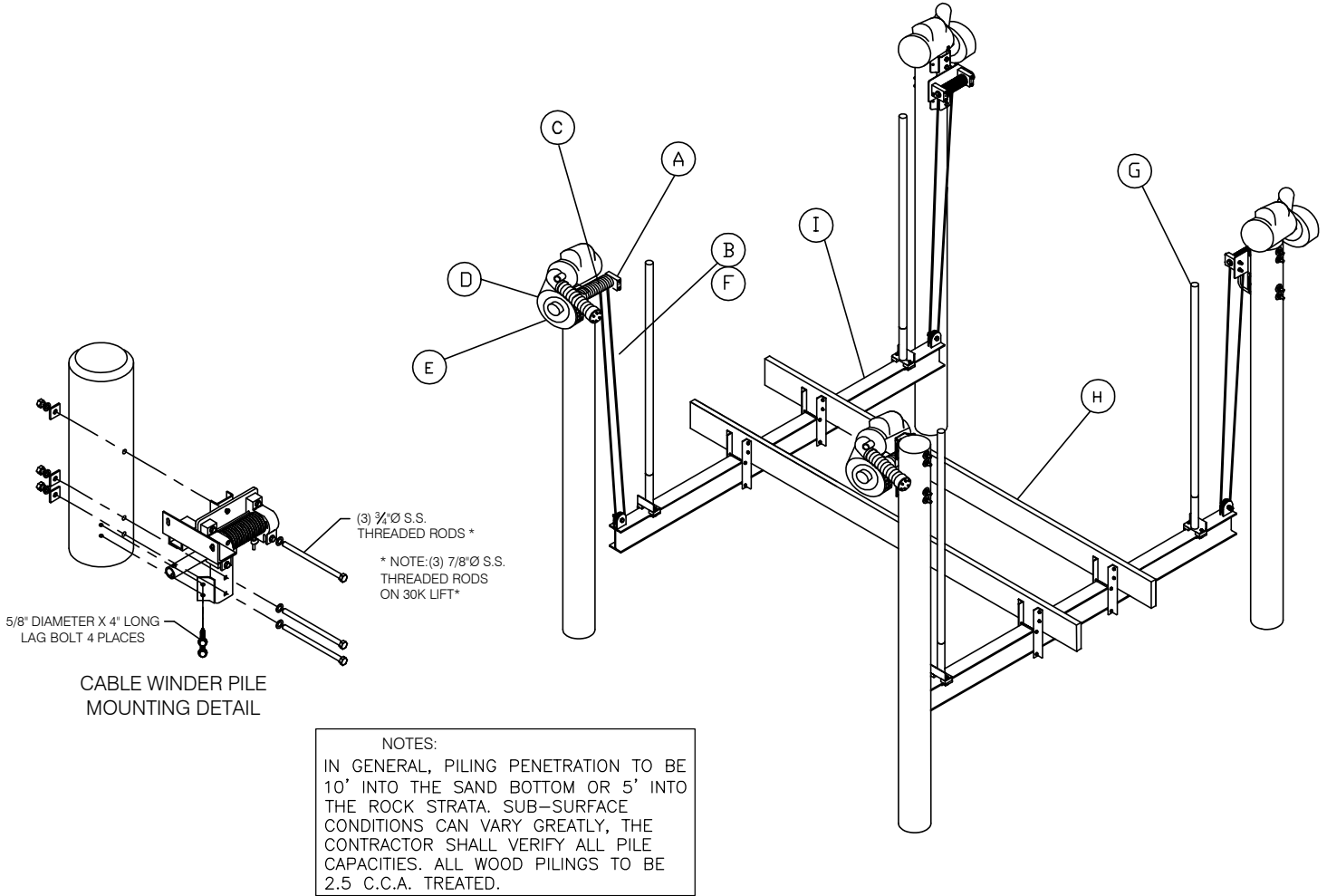


GATORVATOR 4 POST, 4 MOTOR LIFT

NOTE:
BOATS SHALL NOT BE STORED ON LIFT DURING HIGH WIND EVENTS.



LIFT CAPACITY LBS.	A NO. OF BRGS	B CABLE CONFIG.	C GROOVED WINDERS IN.	D DRIVE	E NO. OF MOTORS & H.P.	F LIFTING CABLE IN.	LIFT PER MIN. /IN.	G GUIDE POST HEIGHT IN.	H BOAT BUNK IN.	I CRADLE BEAM/"1" BEAM SIZE IN.	Recomm. Min Piling Sizes IN.	
7,000	8	30' S.S. 2 PART	3.5 ϕ X 12"	SEA DRIVE 8,000 IPT	(4) 3/4 HP	(4) .3125 ϕ	19"/MIN.	80"	2 x 8 X 144	6 x .21 H 4 x .35 W	144" LGTH	8" ϕ
10,000										8 x .23 H 5 x .35 W	144" LGTH	
14,000										8 x .25 H 5 x .41 W	144" LGTH	
16,000										10 x .25 H 6 x .41 W	168" LGTH	
20,000			3.5 ϕ X 16"		(4) 1 HP	(4) .375 ϕ		120"	3 x 10 192	10 x .25 H 6 x .41 W	168" LGTH	12" ϕ
24,000										10 x .29 H 6 x .50 W	192" LGTH	
30,000										6 x 10 BEAM 240	12 x .31 H 7 x .62 W	

Golden Manufacturing, Inc. 17611 East Street, N. Fort Myers Florida 33917 Pub 11-1-17